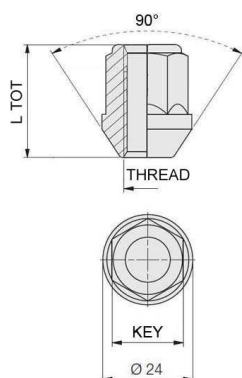


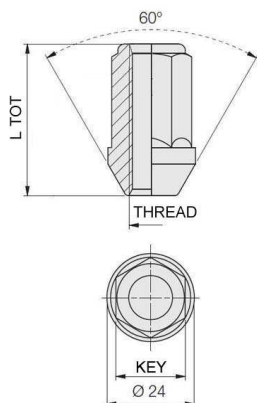
Aluminum lug nut open end
Hard-anodized grey; 7075 T6 Alloy
 Tuning and racing best choice

CODE	THREAD	L TOT	L 3	KEY	CONE	Ø TOT	FINISH	WEIGHT
CM075108021	M12x1,5	34 mm	29 mm	19	60°	23,5 mm	Grey	19 g
CM075109021	M12x1,25	34 mm	29 mm	19	60°	23,5 mm	Grey	19 g



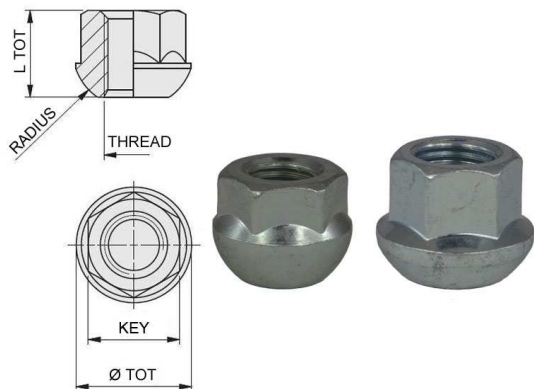
Steel nut open end
 Black zinc, **90° cone**
 For COMPETITION ONLY
 (Clio Gr.A, S1600, Kit).

CODE	THREAD	L TOT	KEY	CONE	Ø TOT	FINISH	WEIGHT
CM075099004	M12x1,25	31 mm	19	90°	24 mm	Black	52 g



Steel nut open end
 Black zinc, 60° cone
 For COMPETITION ONLY

CODE	THREAD	L TOT	KEY	CONE	Ø TOT	FINISH	WEIGHT
CM075100004	M12x1,5	41 mm	19	60°	24 mm	Black	70 g

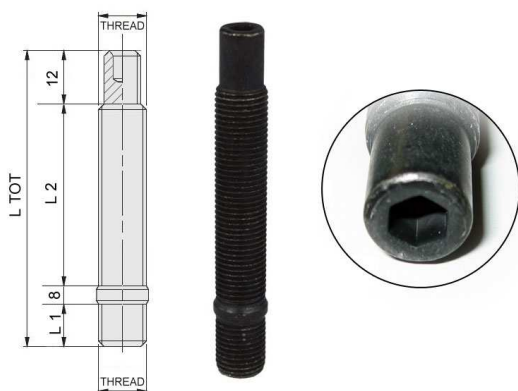


Lug nut open end

Spheric seat, white zinc

Porsche, VW, Audi, Seat

CODE	THREAD	L TOT	RADIUS	KEY	CONE	Ø TOT	FINISH	WEIGHT
CM075107001	M12x1,5	18 mm	R12	19	Radius	23 mm	White	32 g
CM075057001	M14x1,5	20 mm	R14	19	Radius	25,4 mm	White	34 g



Hub stud with allen key

Black zinc: new design!

Professional use

CODE	THREAD	L TOT	L1	L2	KEY	FINISH	WEIGHT
CM075088004	M12x1,5	82 mm	12 mm	50 mm	CH5	Black	60 g
CM075089004	M12x1,25	82 mm	12 mm	50 mm	CH5	Black	60 g
CM075090004	M14x1,5	82 mm	12 mm	50 mm	CH5	Black	80 g